

Sirens, Speakers, Bells & Strobes

Sirens

With features including terminals that eliminate the need to splice and crimp wire, elliptical mounting holes, a large wiring channel that provides plenty of room to route wires and a convenient hinged case cover, our easy-to-install sirens are designed to save you time and money.



WAVE2PD
Two-Tone Piezo Dynamic Siren

- Less than half the weight of traditional sirens
- 105dB @120mA
- 1/3 the current requirements of standard sirens
- Terminal strip eliminates soldering and splicing
- Snap-open hinged case cover for faster installation
- Corner or ceiling mounting with no additional brackets or hardware

ALSO AVAILABLE:
WAVE2PDT - tampered version
(See diagram 1)



WAVE2
Two-Tone Siren

- Patented design fits single gang boxes
- Snap-open hinged case cover for faster installation
- Loud (106dB) dual tone siren output
- Terminal strip eliminates soldering and splicing
- Corner or ceiling mounting with no additional brackets or hardware
- Channelled case back for convenient wiring access
- UL Commercial Burglary

(See diagram 3)



WAVE2F
Two-Tone Flush Mount Siren

- Same performance as WAVE2
- Unique hinged case design allows for installation without disassembly
- Loud (106dB) dual tone siren output
- Fits a standard double gang electric box
- Easy terminal block wire connections
- Attractive design

(See diagram 2)



748
Dual-Tone Siren

- Extremely Loud (119dB)
- Smaller - mounts directly to wall or 4" electrical box
- Dual tone output - steady and warble
- Ready to mount - no disassembly required
- Tamper proof and weather resistant
- Attractive, can be used indoors or outdoors
- Snap on trim ring conceals screws

(See diagram 4)



748LC
Dual-Tone Siren

- Low current draw, 550mA @ 12VDC
- Smaller - mounts directly to wall or 4" electrical box
- Dual tone output - steady and warble
- 112dB
- Ready to mount - no disassembly required
- Tamper proof and weather resistant
- Attractive, can be used indoors or outdoors
- Snap on trim ring conceals screws

(See diagram 4)



747
Self-Contained Indoor Siren

- Two tones - steady and warble driver is built-in
- 95dB
- Durable ABS plastic
- 15 watt power rating
- Easy mounting with hardware included
- High quality mylar cone

ALSO AVAILABLE:
*747UL
(See diagram 5)



747PD
Two-Tone Piezo-Dynamic Indoor Siren

- Half the weight of standard sirens
- 105dB @120mA
- 1/3 the current requirements of standard sirens
- Terminal strip eliminates soldering and splicing
- Snap-open hinged case cover for fast installation

ALSO AVAILABLE:
747PDT tampered version
(See diagram 8)



747F
Self-Contained Indoor Siren

- 95dB outputs at 12VDC
- Flush mount
- Two tones - steady and warble
- High quality mylar cone
- Durable ABS plastic
- Attractive designer case
- Hardware included

(See diagram 7)



702
Self-Contained Electronic Siren

- 6 to 12VDC combination speaker and siren driver
- 110dB
- Dual tone - warble or steady
- Enclosed wires
- 30 watt power rating
- Protective cabinet available 743BE
- Built-in Tamper Plate protects wires from attack

(See diagram 11)



719
Self-Contained Electronic Siren

- Combination speaker and siren driver
- Dual tone - warble and steady
- 6 to 12VDC power input
- Small size - 5" diameter
- Indoor or outdoor use
- Weather resistant, high impact construction

(See diagram 9)



5800WAVE
Wireless Siren

- Plug into any standard duplex receptacle
- 95dB @ 3 feet
- 12 hour battery backup
- 6 to 12VDC power input
- Transmits status, tamper, low battery, supervisory and AC signals

(See diagram 6)

Wireless Siren

Speakers

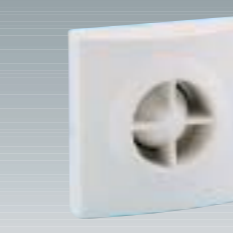
Honeywell offers a wide variety of speakers to meet any installation challenge. Whether you're looking for an outdoor version for unforgiving environments or a flush-mount version to match the décor of any room, we've got what you're looking for.



WAVE
Speaker

- Attractive patented design fit single gang wall plate
- Snap-open hinged case cover for faster installation
- Two positions terminal block eliminates splicing and soldering
- Corner or ceiling mounting with no additional brackets or hardware
- Channelled or horizontal mounting for great versatility
- 8 ohms/15 watts

(See diagram 3)



WAVEF
Flush Mount Speaker

- Unique hinged case design allows for installation without disassembly
- Fits a standard double gang electric box
- Easy terminal block wire connections
- Attractive new design
- 10 watt power rating (15 watt peak)

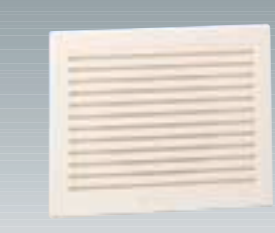
(See diagram 2)



746
Indoor Speaker

- Easy to mount on wall
- 15 watts continuous, 20 watts peak
- Double polyurethane coated voice coil-prevents corrosion
- Mounting hardware included
- Heavy duty magnet

(See diagram 5)



746F
Indoor Speaker

- 15 watts continuous, 20 watts peak
- Double polyurethane coated voice coil-prevents corrosion
- Mounting hardware included
- Heavy duty magnet

(See diagram 7)



749
Speaker

- 8 ohms/20 watts (25 watts peak)
- Smaller - mounts directly to wall or 4" electrical box
- Dual tone output - steady and warble
- Ready to mount - no disassembly required
- Attractive, can be used indoors or outdoors
- Snap on trim ring conceals screws

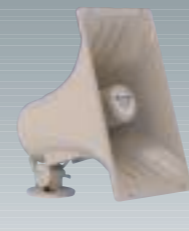
(See diagram 4)



705-820
Speaker

- 8 ohms/20 watts
- Can be mounted in a cabinet

ALSO AVAILABLE:
735BE cabinet
(See diagram 10)



713
High Power Speakers

- Powerful 40 watts, 8 ohm speaker
- Weather resistant housing
- Ideal for indoor and outdoor applications
- Jacketed 3-conductor lead included tamper loop

(See diagram 10)



Bells & Boxes

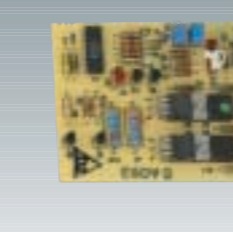
Our rugged designs are built to withstand harsh environmental conditions. Our bells, boxes and strobes are ideal for both indoor and outdoor use including schools, office buildings, corridors and apartment buildings where audio and visual warning are required by local jurisdictions.



735BE
Cabinet Including Speaker

- Includes 705-820, 8 ohm, 20 watt speaker
- Tampered installation time
- Reduced installation time

ALSO AVAILABLE:
742BE for 5" diameter siren or speaker
743BE 10" cabinet for 702 external siren
For tamper provision, use the 955WH and 28-2 bracket



744
Multi-Tone Siren Driver

- Separates burglary and fire alarm sounds
- Powers many combinations of speakers (series, parallel, or series-parallel)
- Operates on 12VDC
- Highest output (119dB) in its category
- Six jumper-selectable tones



AB12M
Motorized Bell in Box

- Required on UL Grade A installation
- Motorized bell with only 100 mA current draw at 12VDC
- Extra heavy steel
- 10" underdome bell
- Two tamper switches
- Insulated inner box
- Fully tampered for protection from attempts to open, drill or chisel through cabinet

See our website for additional information



1011BE12M
Motorized Bell in Box

- 10" motorized bell
- Low current draw only 100 mA current draw at 12VDC
- Fully tampered for protection from attempts to open, drill or chisel through cabinet

See our website for additional information



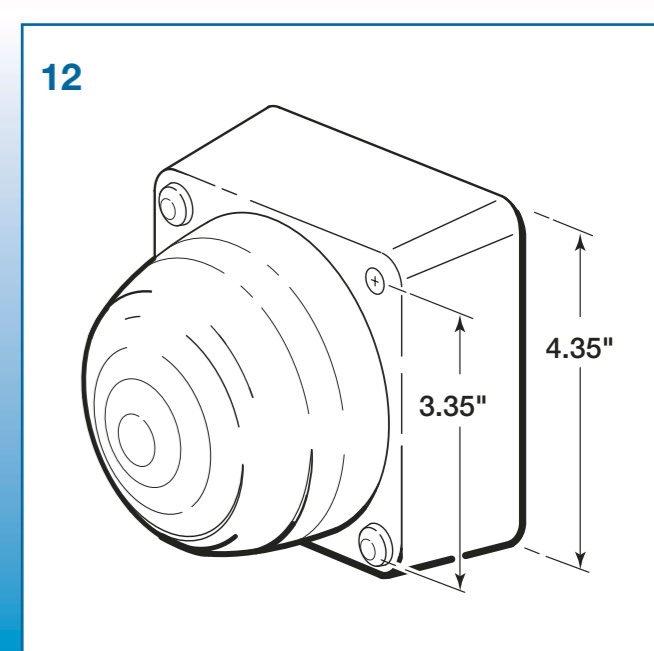
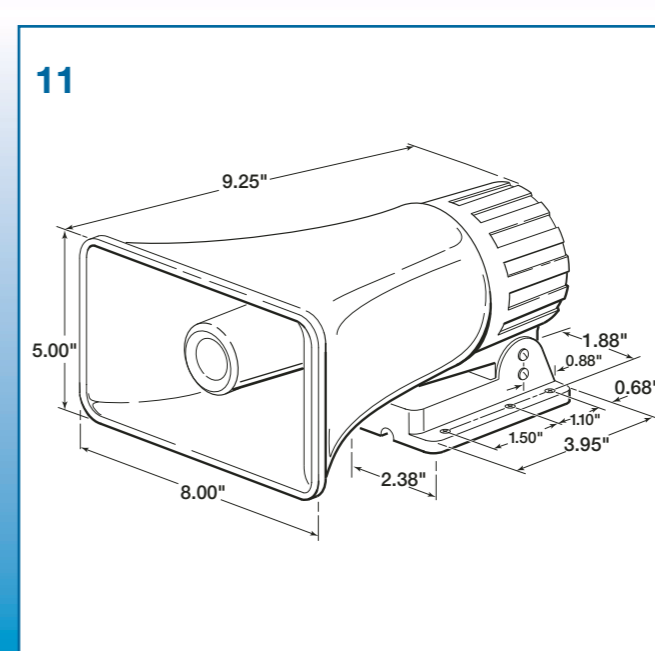
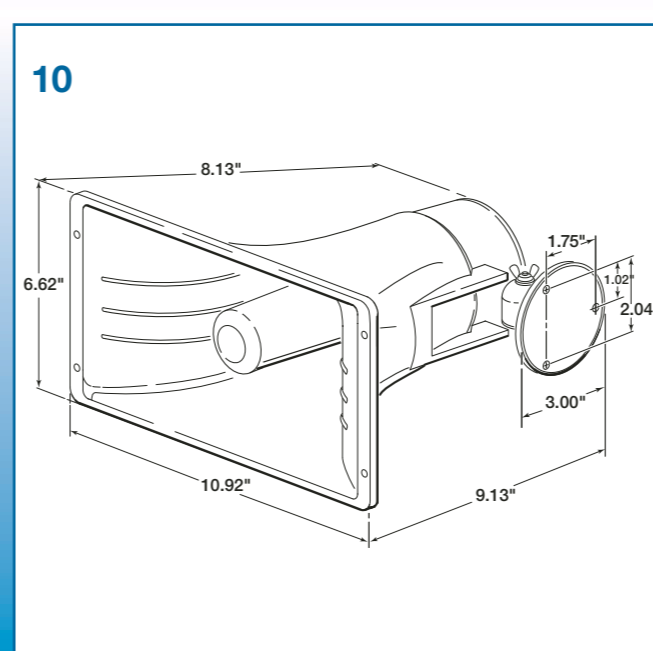
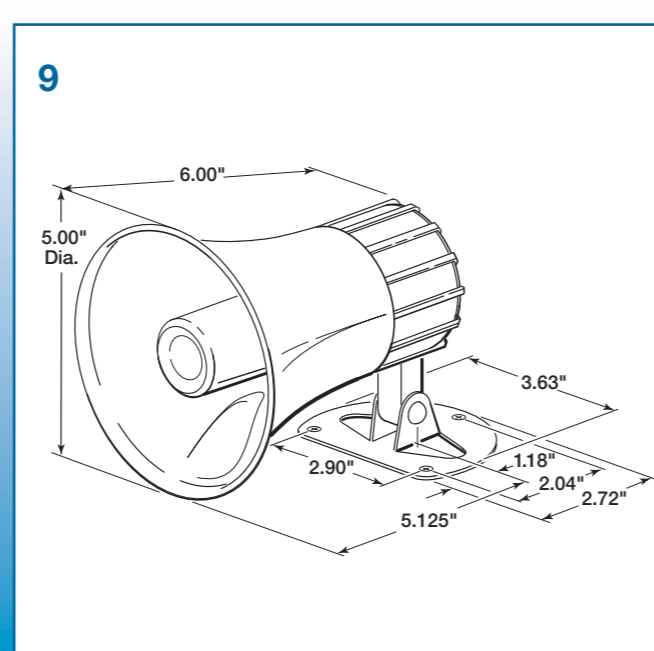
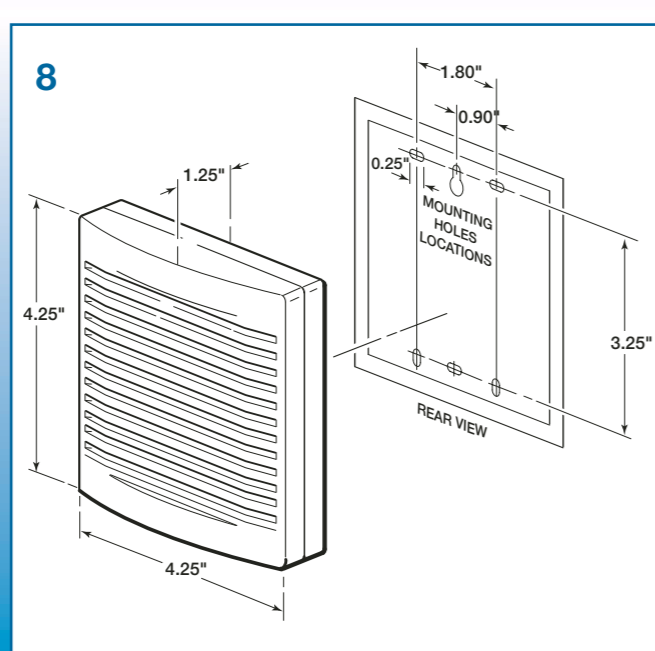
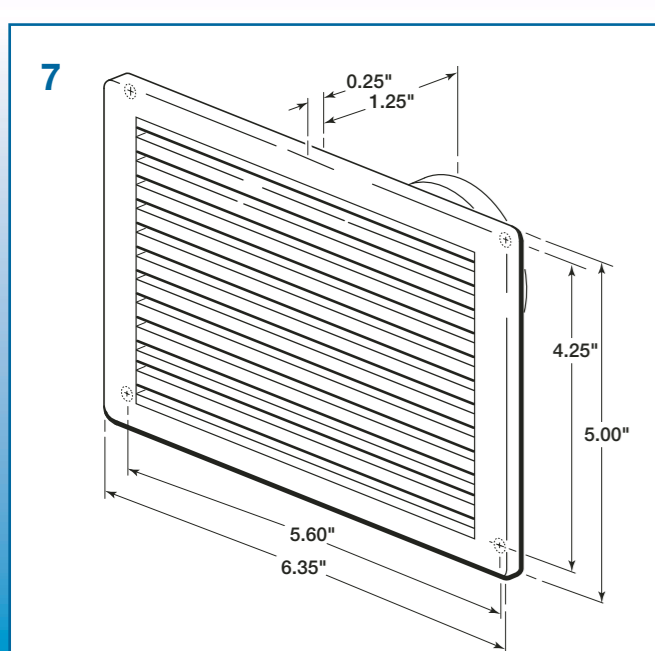
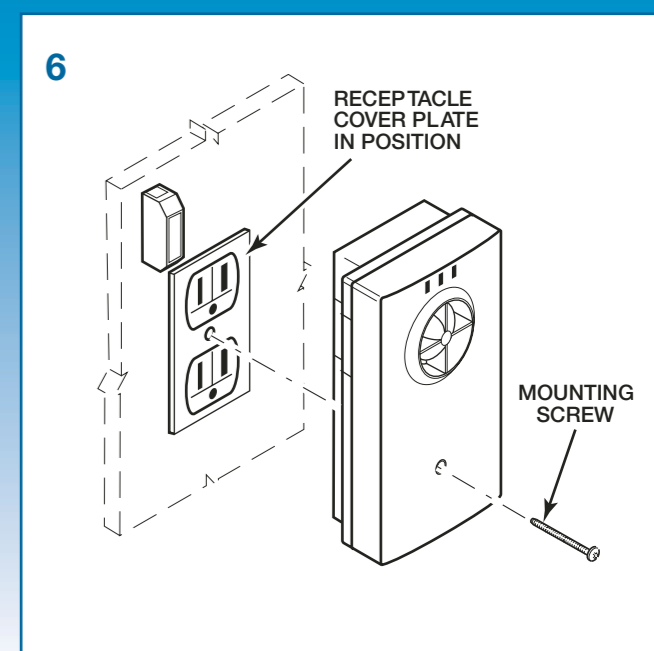
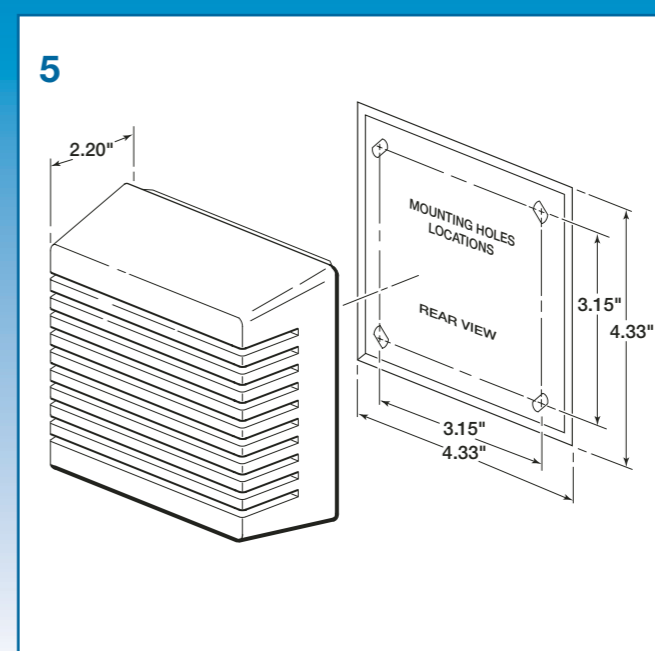
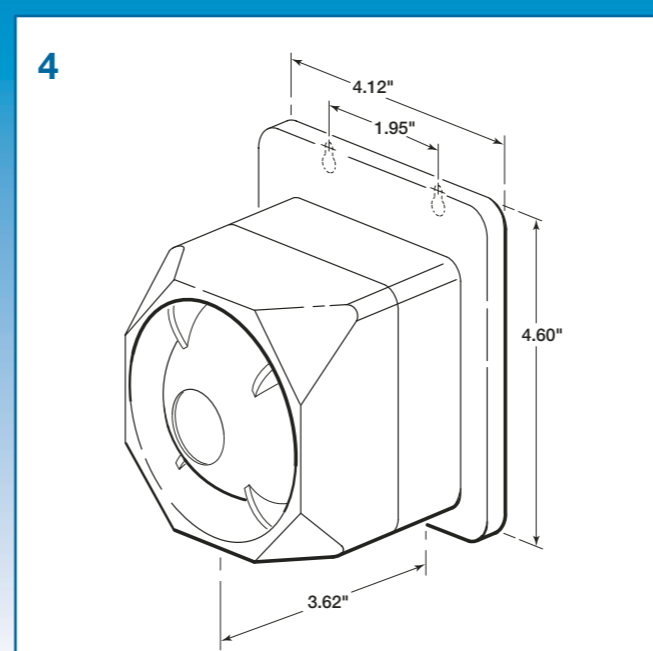
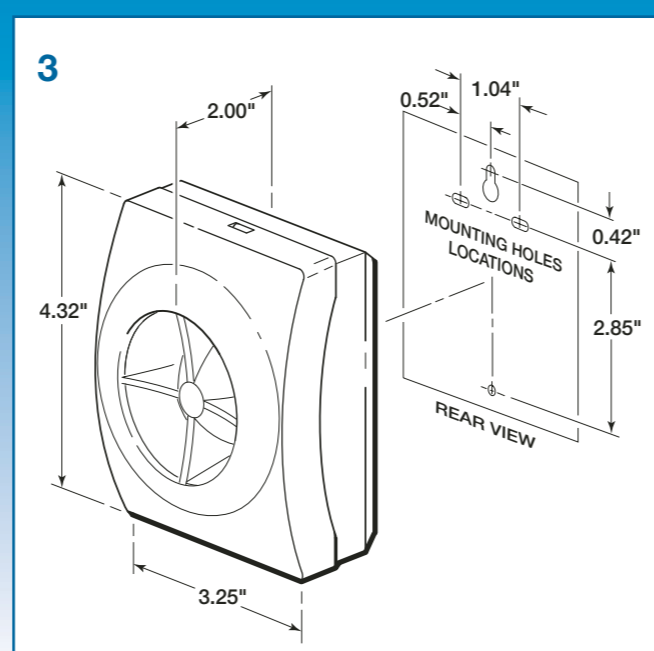
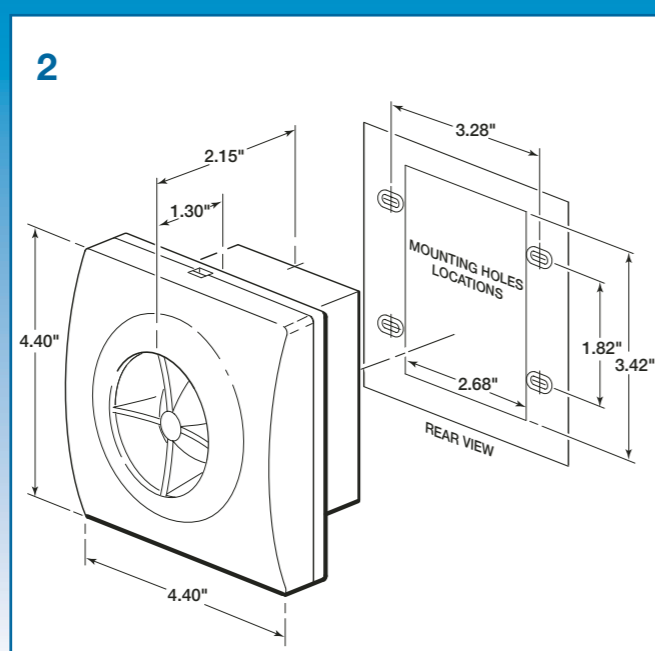
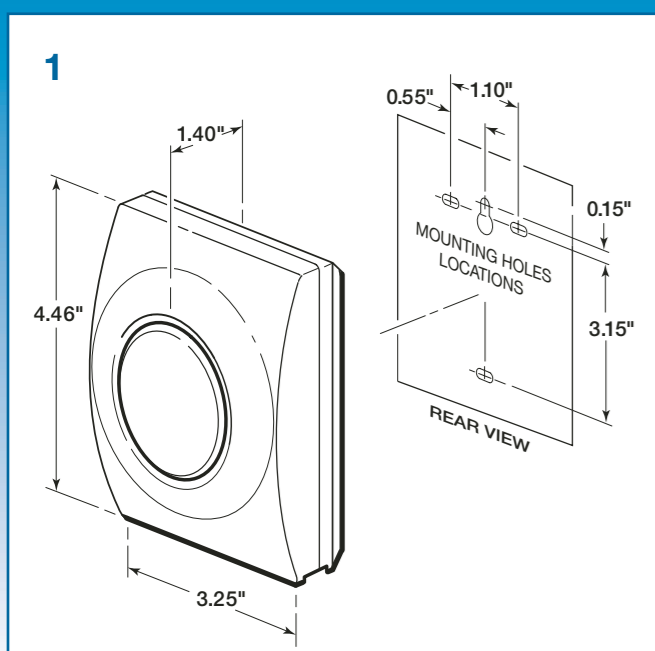
710
Strobe Warning Lights

- High intensity flashes for fast premise identification
- May be surface mounted or mounted on alarm bell housing
- 6 to 12VDC operation in single unit
- Weather resistant for outdoor use

ALSO AVAILABLE:
710CL - Clear
710AM - Amber
710RD - Red
710BL - Blue
(See diagram 12)

Strobes

This section features dimensional drawings of our most popular selling sounders. Simply match the drawing reference number from above with the drawing in this section. Use the graphic key to identify which application the sounder can be used on. FOR REFERENCE ONLY. DRAWINGS NOT TO SCALE.



Key:
 - Commercial
 - Residential
 - Outdoor Use

For additional information on our complete line of sounding devices, please contact our sales department at

1-800-467-5875

www.honeywell.com/security/hsc

Honeywell